



Switch-Module SM1 Type 1051

Installation- and operating instructions

Before installation and use read this manual!

General safety advice

This unit must be installed and used by qualified personal. Safety regulations and this wiring and operating instructions must be strictly observed.

The regulations of DIN VDE 0100 must be obeyed.

It must be ensured that personal or other persons are not endangered.

For the intended use it must be assured, that the intended range of the unit is not exceeded (e.g. voltage, load current, ambient temperature).

The producer is not liable for damages by external forces or other damages through external factors!

Use only units from original packings and free of damage.

Manipulation of the unit is prohibited and excludes warranty. The unit may be repaired solely by the producer.



Specification

Switch-Module SM 1 for electronic temperature controller ETRA 2 Ex-ib type 1047 are used to drive of solid state relais.

Features

- Used with ETRA 2 Ex-ib, type 1047
- Output ca. 10V DC
- internal power supply 230V~ 50-60 Hz
- strong Macrolon housing IP20 for snap mounting on standard rail or screw mounting

Function

SM 1 is installed with the controller ETRA 2 Ex-ib type 1047 and a solid state relay in a non flame proof area. The ETRA 2 Ex-ib type 1047 relay output drives the SM1 which drives a solid state relay with 10V DC input. SM1 is installed beneath the ETRA 2 Ex-ib type 1047. Long leads are allowed between SM1 and solid state relay, control and power section may be separated.

Connections

contact 1 and 2: Power supply; 230V~ 50...60Hz
contact 3- and 4+: Input to ETRA 2 Ex-ib, type 1047
contact 5- and 6+: Output to solid state relay 10V DC

Approvals

- EMI EMI approved 

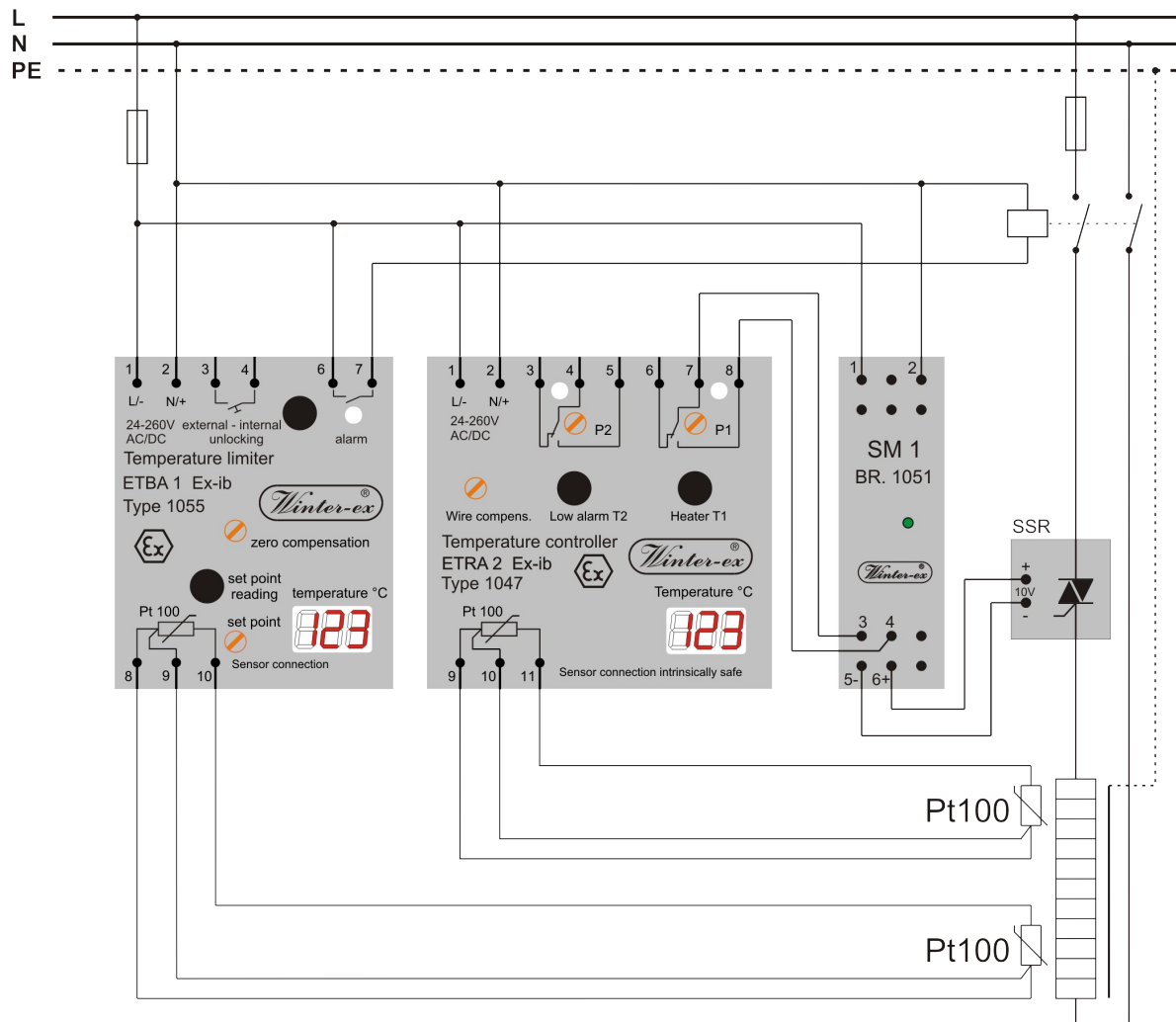


Switch-Module SM1 Type 1051

Installation- and operating instructions

Technical Data

supply voltage	230V~ +10% -15%, 50...60Hz, L N
power	app. 1VA
output	low = 0V, high = 10V, I < 40mA
EMI	EMV approved, NAMUR NE 21
ambient temperature	-20...+60 °C
storage temperature	-20...+70 °C
housing	Macrolon
protective system	DIN 40050 IP20
size	(23 x 75 x 99) mm
weight	150 grams
mounting	rail mounting on standard rail DIN 46277 and DIN EN 50022



Connecting diagram:

Technical data are subject to change

09/11

Böhm Feinmechanik und Elektrotechnik, Am Schlörlbach 14, 38723 Seesen-Rhüden
Tel. 05384-216, Fax 05384-296, e-mail: info@winter-ex.de, web: www.winter-ex.de